
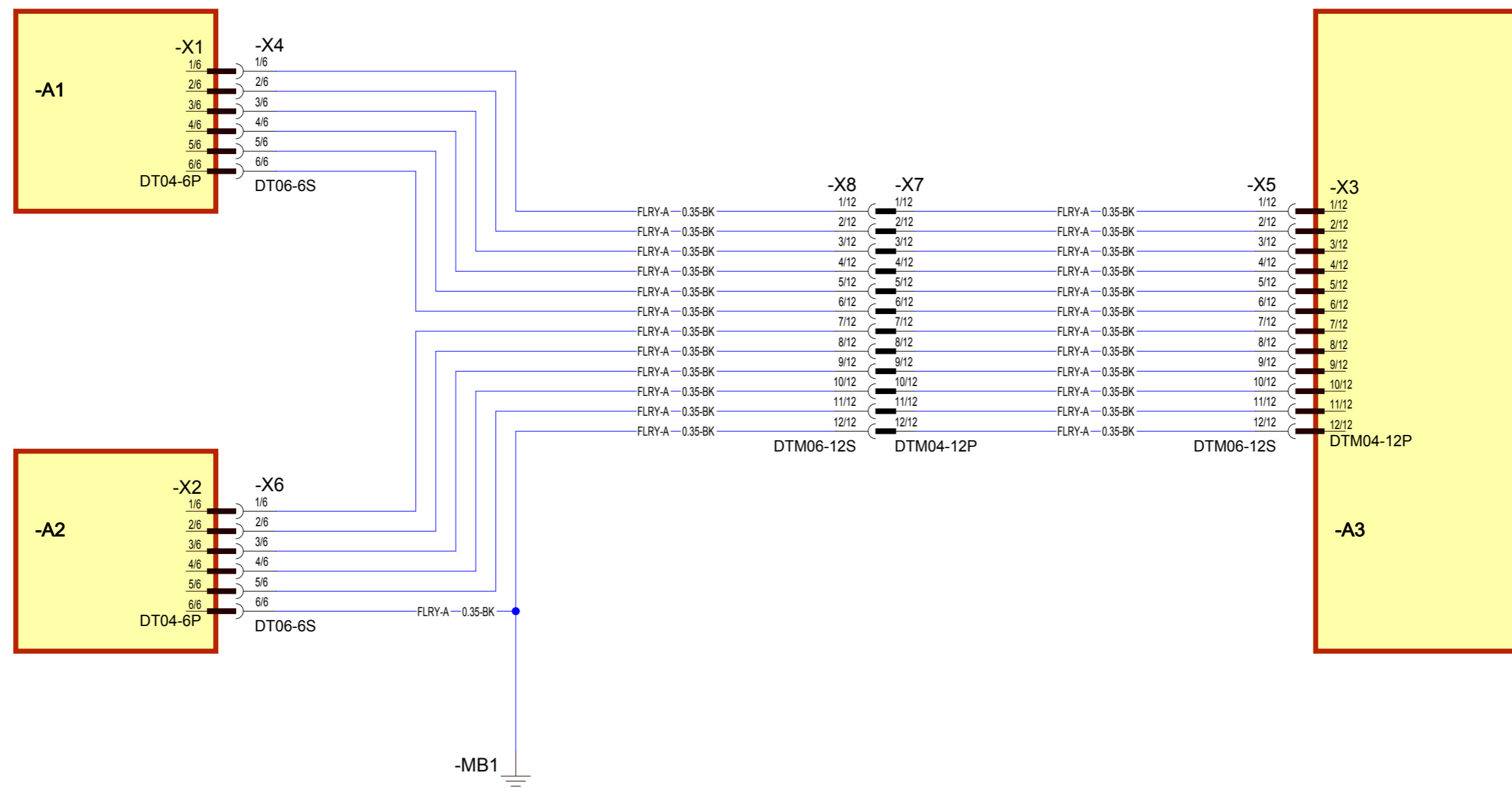
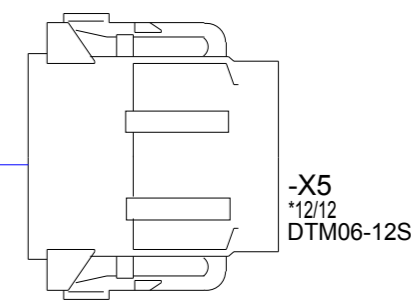
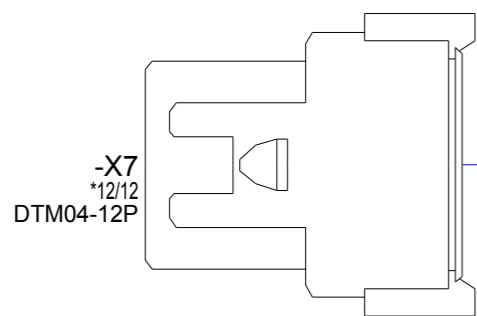


TD-Integration-Step4
 C:\CT\PTT-Presentations\EngineeringDays-2008\233-E3-2009-Integration-Topology\Designer\Examples\30.03.2009
 04.09.2008 10:53
created with

 series
 We reserve all rights in this document and in the information contained therein. Reproduction, use or disclosure to third parties without express authority is strictly forbidden.
 © CIM-Team



Status		change	date	name	Standard	Origin	Repl. f.	Repl. by	CIM-TEAM A ZUKEN COMPANY		Sheet 1	3 Sh.
1	2	3	4	5	6	7	8					



TableSymbol2

Pin	Signal	Cable	Core	Target
1	#1	-W1	1	-X5:1
2	#2	-W1	2	-X5:2
3	#3	-W1	3	-X5:3
4	#4	-W1	4	-X5:4
5	#5	-W1	5	-X5:5
6	#6	-W1	6	-X5:6
7	#12	-W1	7	-X5:7
8	#11	-W1	8	-X5:8
9	#10	-W1	9	-X5:9
10	#9	-W1	10	-X5:10
11	#8	-W1	11	-X5:11
12	#7	-W1	12	-X5:12



TableSymbol2

Pin	Signal	Cable	Core	Target
1	#1	-W1	1	-X7:1
2	#2	-W1	2	-X7:2
3	#3	-W1	3	-X7:3
4	#4	-W1	4	-X7:4
5	#5	-W1	5	-X7:5
6	#6	-W1	6	-X7:6
7	#12	-W1	7	-X7:7
8	#11	-W1	8	-X7:8
9	#10	-W1	9	-X7:9
10	#9	-W1	10	-X7:10
11	#8	-W1	11	-X7:11
12	#7	-W1	12	-X7:12



created with TD-Integration-Step4
C:\CT\PPT-Presentations\EngineeringDays-2008\233-E3-2009-Integration-Topology\Designer\Examples\ 30.03.2009 04.09.2008 10:53

We reserve all rights in this document and in the information contained therein. Reproduction, use or disclosure to third parties without express authority is strictly forbidden.
© CIM-Team


Status	change	date	name	Standard	Origin	Repl. f.	Repl. by	Sheet	2-W1
								3	Sh.



created with TD-Integration-Step4
 C:\CT\PTT-Presentations\EngineeringDays-2008\233-E3-2009-Integration-Topology\Designer\Examples\30.03.2009 04.09.2008 10:53
 E series
 We reserve all rights in this document and in the information contained therein. Reproduction, use or disclosure to third parties without express authority is strictly forbidden.
 © CIM-Team


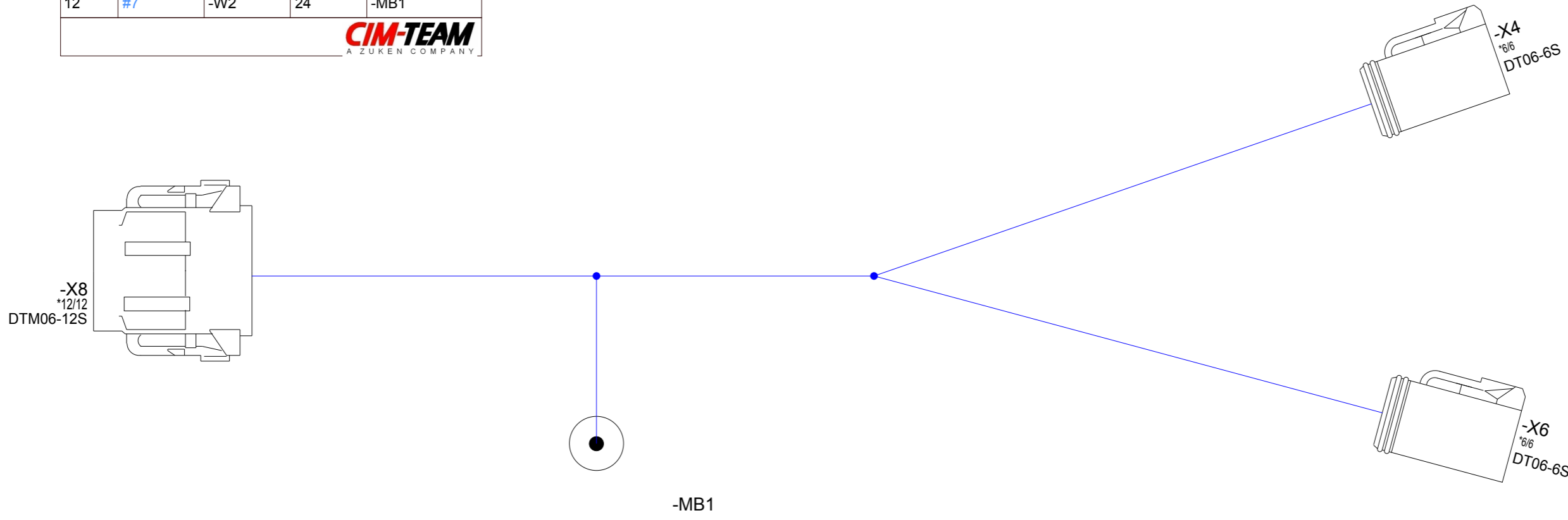
TableSymbol2

Pin	Signal	Cable	Core	Target
1	#1	-W2	13	-X4:1
2	#2	-W2	14	-X4:2
3	#3	-W2	15	-X4:3
4	#4	-W2	16	-X4:4
5	#5	-W2	17	-X4:5
6	#6	-W2	18	-X4:6
7	#12	-W2	19	-X6:1
8	#11	-W2	20	-X6:2
9	#10	-W2	21	-X6:3
10	#9	-W2	22	-X6:4
11	#8	-W2	23	-X6:5
12	#7	-W2	24	-MB1




TableSymbol2

Pin	Signal	Cable	Core	Target
1	#1	-W2	13	-X8:1
2	#2	-W2	14	-X8:2
3	#3	-W2	15	-X8:3
4	#4	-W2	16	-X8:4
5	#5	-W2	17	-X8:5
6	#6	-W2	18	-X8:6

TableSymbol2

Pin	Signal	Cable	Core	Target
	#7	-W2	24, 25	-X8:12, -X6:6



TableSymbol2

Pin	Signal	Cable	Core	Target
1	#12	-W2	19	-X8:7
2	#11	-W2	20	-X8:8
3	#10	-W2	21	-X8:9
4	#9	-W2	22	-X8:10
5	#8	-W2	23	-X8:11
6	#7	-W2	25	-MB1

