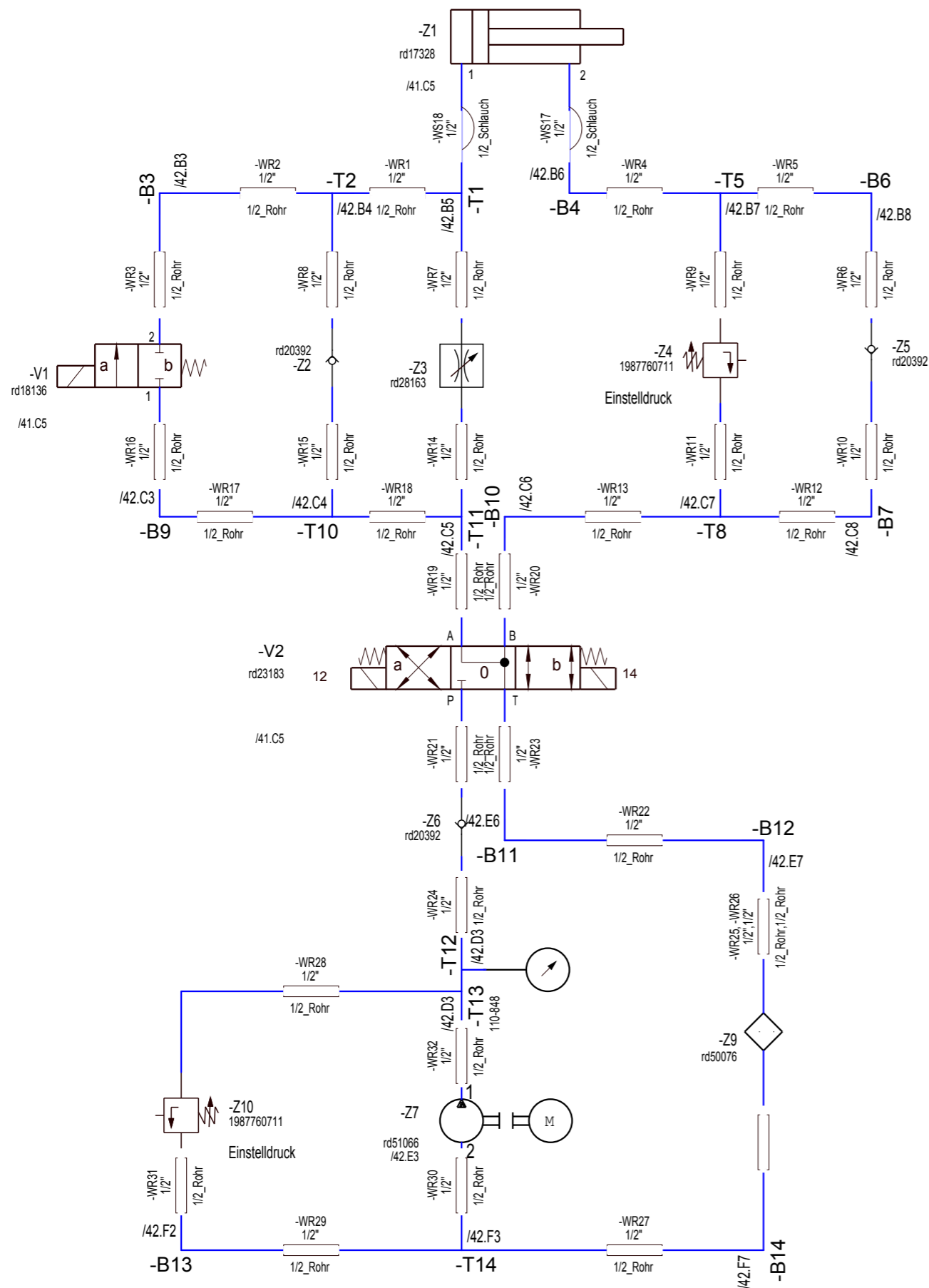
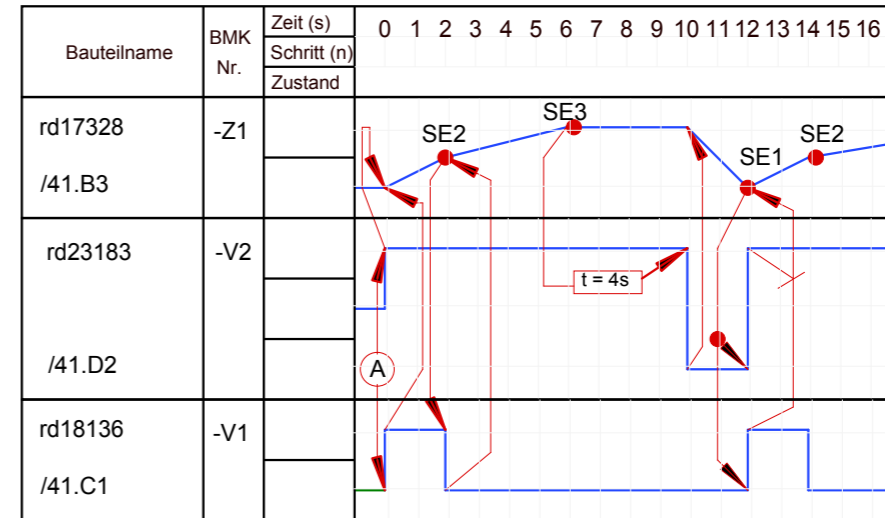


# Elektrohydraulisch gesteuerte Vorschubeinheit



Funktionsdiagramm



Hydraulic

Fluid\_Pneumatic-Hydraulic\_2009  
W:\CT\CopyTemplate\_E3-Projekte\Fluid\

created with  
**E3** series

We reserve all rights in this document and in the information contained therein. Reproduction, use or disclosure to third parties without express authority is strictly forbidden.  
© CIM-Team

date	2009-01-28
User	CT-AS
Proved	CT-BS
Status	change
date	
name	
Standard	

Origin	
Repl. f.	

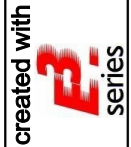
**CIM-TEAM**  
A ZUKEN COMPANY

Vorschubeinheit mit Piping

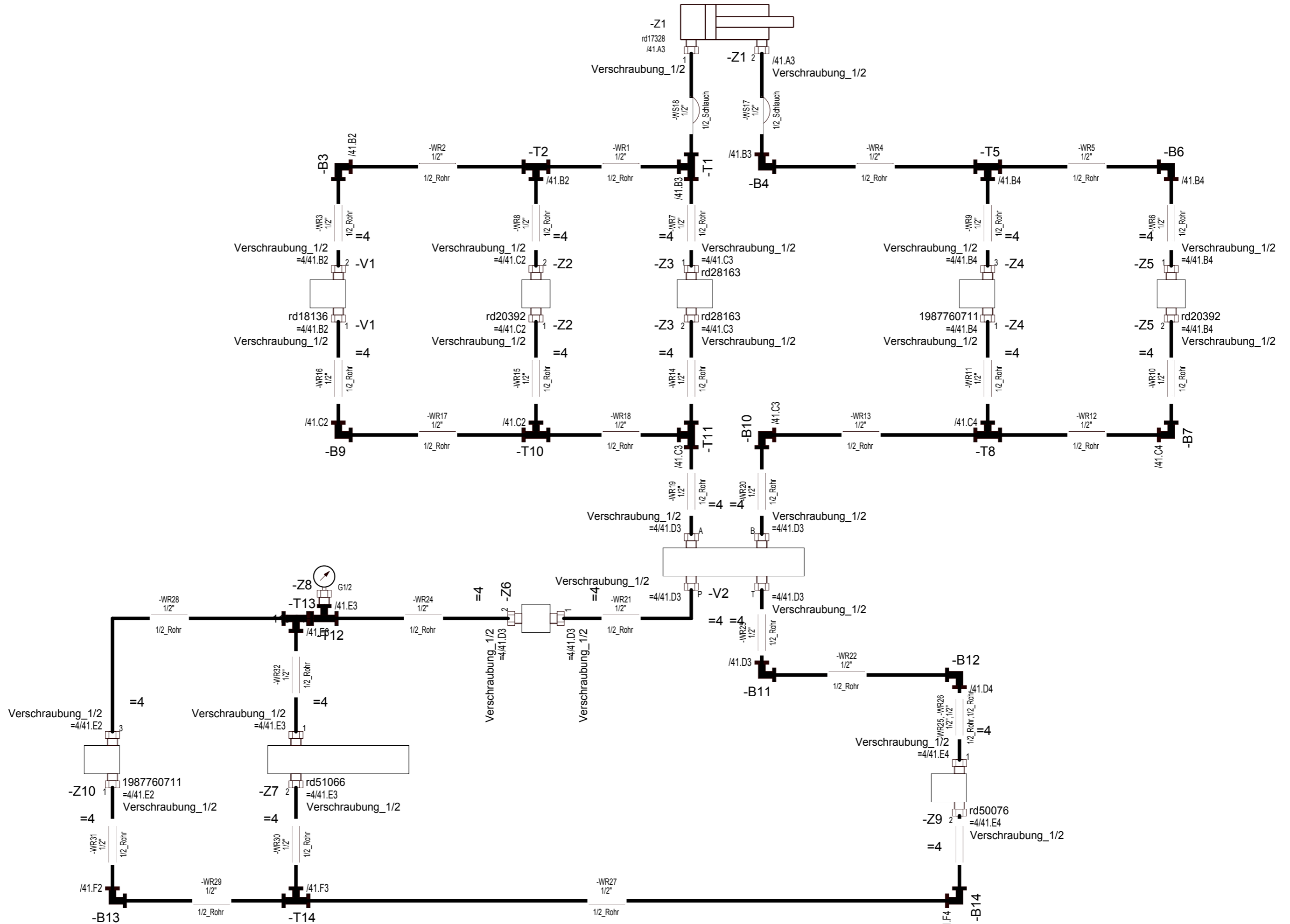
ABCDEFG-111	=4
123456789-AAA	Sheet 41
	17 Sh.

Hydraulic

Fluid\_Pneumatic-Hydraulic\_2009  
 W:\CT\CopyTemplate\_E3-Projekte\Fluid\



We reserve all rights in this document and in the information contained therein. Reproduction, use or disclosure to third parties without express authority is strictly forbidden.  
 © CIM-Team



date		2009-01-28				Vorschubeinheit		ABCDEFG-111		=4	
User		CT-AS				Piping		123456789-AAA		Sheet 42	
Proved		CT-BS								17 Sh.	
Status	change	date	name	Standard	Origin	Repl. f.	Repl. by				